

SensePoint XCD

ATEX gas detector, RS485, MODBUS RTU
Flammable (catalytic or infrared), toxic (electrochemical)



INTRODUCTION

The **Sensepoint XCD** range provides comprehensive monitoring of flammable, toxic and Oxygen gas hazards in potentially explosive atmospheres, both indoors and outdoors. Users can modify detector operation using the LCD and magnet switches without ever needing to open the unit. This enables one-man, non-intrusive operation and reduces routine maintenance time and costs.

A tri-colour backlit LCD clearly indicates the unit's status at a glance, even from a distance. A steady green backlight indicates normal operation, flashing yellow indicates fault and flashing red indicates an alarm.

All detectors are supplied pre-configured and include 2 programmable alarm relays, 1 programmable fault relay as well as an industry standard 4-20mA output (sink or source selectable) and MODBUS.

TECHNICAL FEATURES

Input Voltage Range: 16 to 32VDC (24VDC nominal)

Relays: 3 x 5A@250VAC

Housing: Epoxy painted aluminium alloy LM25 (2kg) or 316 stainless steel (5kg)

Entries: 2 x M20 cable entries

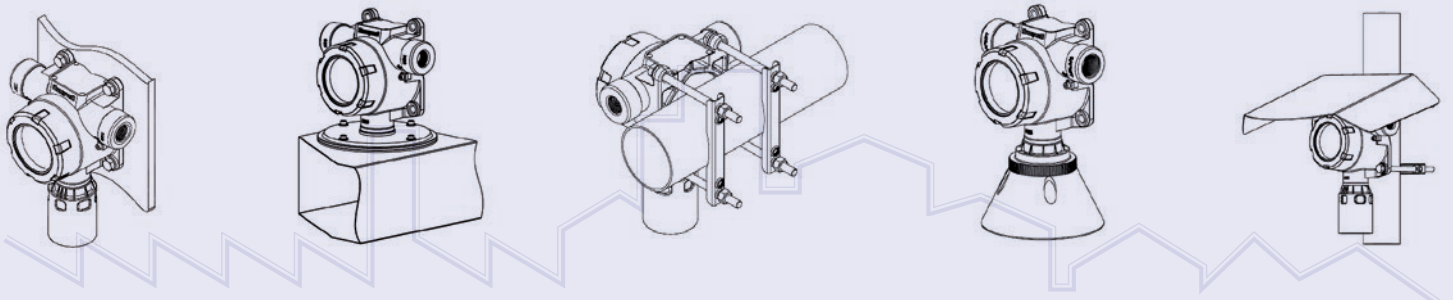
Ingress protection: IP66

Humidity: 0-99 RH

Certification:

- European ATEX II 2 GD Ex d IIC Gb T6 (Ta -40°C to +65°C) T5 (Ta -40°C to +75°C) Ex tb IIIC T85°C Db IP66 T100°C
- International IECEx Ex d IIC Gb T6 (Ta -40°C to +65°C) T5 (Ta -40°C to +75°C) Ex tb IIIC T85°C Db IP66 T100°C
- North America UL/c-UL - Class I, Division 1, Groups B, C and D, Class I, Division 2, Groups B, C & D, Class II, Division 1, Groups E, F & G, Class II, Division 2, Groups F & G.

Gas	Default range	User selectable range
	Catalytic bead sensors	
Flammable gases	0-100 % LEL	20 % à 100 % LEL
	Infrared sensors	
Methane (CH ₄)	0-100 % LEL	20 % à 100 % LEL
Methane (CH ₄)	0-100 % vol	20 % à 100 % vol
Carbon dioxide (CO ₂)	0-2 % vol	-
	Electrochemical sensors	
Hydrogen sulphide (H ₂ S)	0-50 ppm	10 à 100 ppm
Carbon Monoxide (CO)	0-300 ppm	100 à 1000 ppm
Hydrogen (H ₂)	0-1000 ppm	
Oxygen (O ₂)	0-25 % vol	



Non-contractual document. © Any reproduction, in whole or in part, by whatsoever process, is only permitted with Gazdetect approval.